



# Measure Sheet

Who Measured \_\_\_\_\_

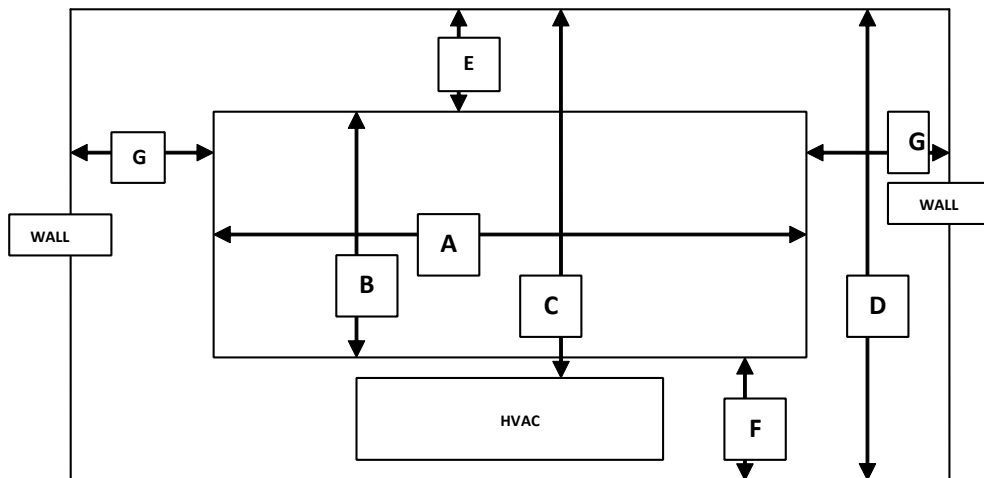
Property Contact or Maintenance Person \_\_\_\_\_

Date Measured \_\_\_\_\_

Contact or Maintenance Person Phone Number \_\_\_\_\_

Property Information			
Property Name		Address	
City	State	Zip	Phone Number

## CEILING



## FLOOR

(A) Window Width      (B) Window Length      (C) Length from Ceiling to HVAC      (D) Height from Ceiling to Floor

(E) Height from Ceiling to Top of Window      (F) Height from Bottom of Window to Floor      (G) Left Wall      (G) Right Wall

Installer Instructions	
Suggested Rod Width	
Suggested Drapery Length	Additional Instructions

Office Use - Filled Out After Measure	
Rod Width	Dimension of Valance
Blackout & Sheer Dimensions	Blackout & Sheer Dimensions