

Roller Shades

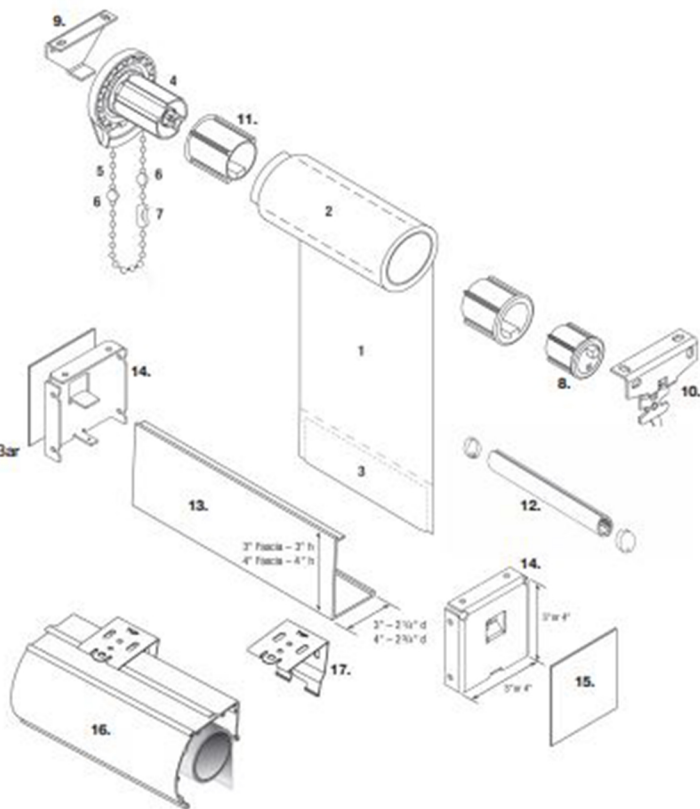
Manual Shade Diagram

Standard Components:

1. Fabric
2. Roller Tube Dimensions:
 - R8: 1 1/4" Diameter
 - R16: 1 3/4" Diameter
 - R24: 1 3/4" Diameter
 - G400: 2 1/2" Diameter
3. 1 1/2" Sealed Pocket Hem Bar
4. Clutch
5. Bead Chain
6. Bead Chain Stops
7. Bead Chain Connector
8. End Plug
9. Clutch Bracket
10. End Plug Bracket
11. Adapter for G400 clutches & End Plugs

Optional Components:

12. Fabric Covered External Aluminum Hem Bar
13. Front Fascia 3" or 4"
14. Fascia Brackets 3" or 4"
15. Fascia End Caps (peel & stick)
16. Cassette
17. Cassette Mounting Brackets



Shade Sizes and Weights:

Clutch Model:	Maximum Width:	Maximum Weight:
R8	72"	8 lbs.
R16	120"	16 lbs.
R24	120"	24 lbs.
G40	156"	40 lbs

Bracket Projections:

